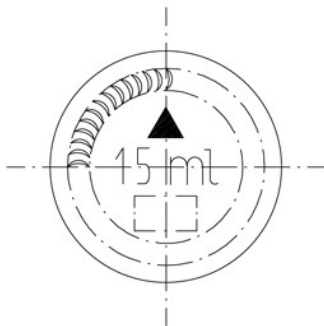
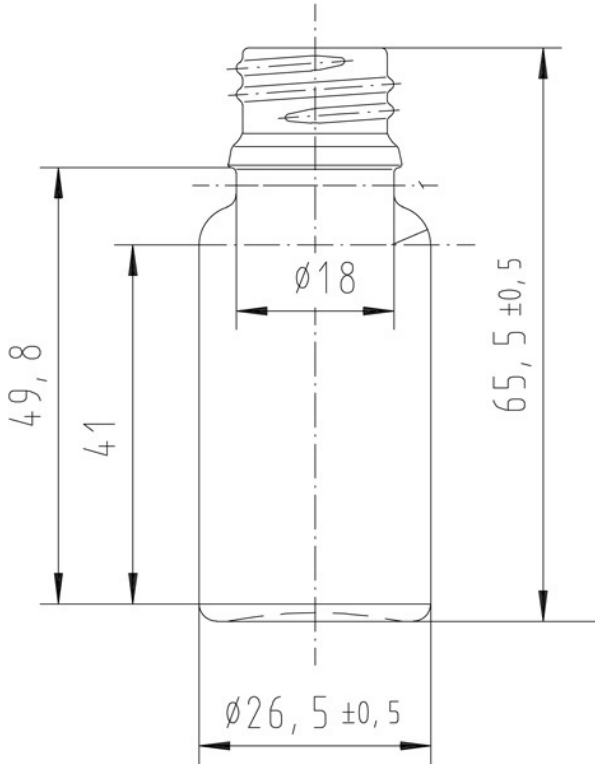


30000585
5706 STD TROP 15
C20 18GL



Colour:
Standard Amber

Capacity:
15 ml

Finish Diameter:
18 mm

Shape:
Round

Body Diameter:
27 mm

Height:
66 mm

Weight:
28 g

Returnable:
No

Suitable for Carbonation:
No

contact:
Germany
pharma@ardaghgroup.com
+49 50 42 50 0216

Please note minimum order quantities
may apply