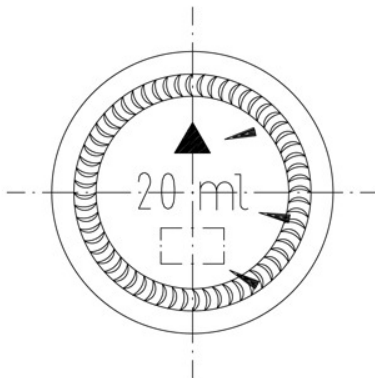
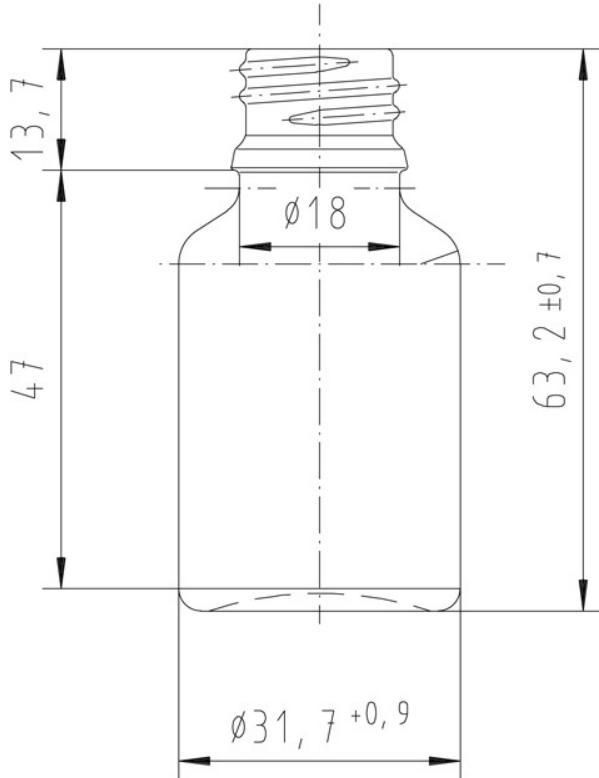


30000586
5707 STD TROP 20
C20 18GL



BASE VIEW



Colour:
Standard Amber

Capacity:
20 ml

Finish Diameter:
18 mm

Shape:
Round

Body Diameter:
32 mm

Height:
63 mm

Weight:
27 g

Returnable:
No

Suitable for Carbonation:
No

contact:
Germany
pharma@ardaghgroup.com
+49 50 42 50 0216

Please note minimum order quantities
may apply