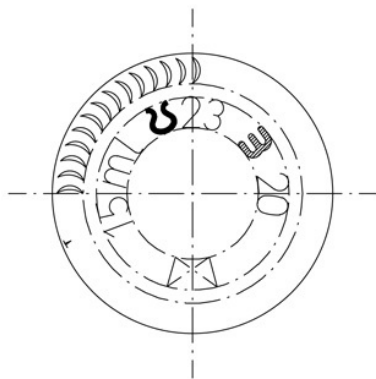
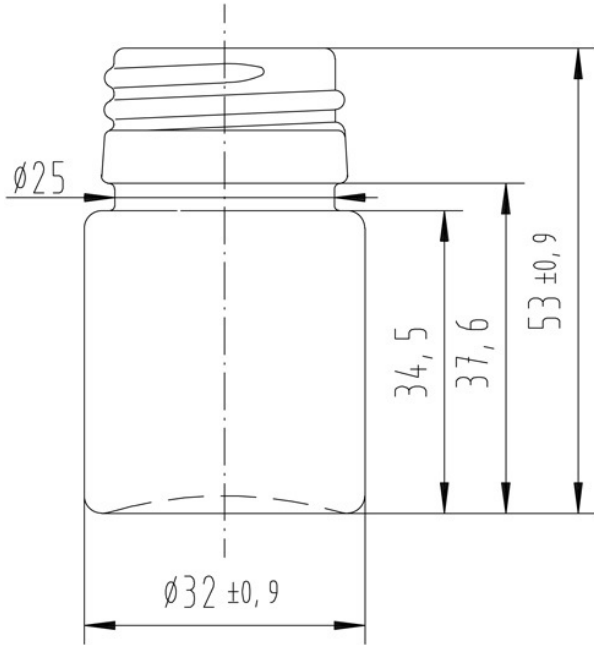


30000883
6303
Tablettenglas_15_C20_28|



BASE VIEW



Colour:
Amber

Capacity:
15 ml

Finish Diameter:
28 mm

Shape:
Round

Body Diameter:
32 mm

Height:
53 mm

Weight:
40 g

Returnable:
No

Suitable for Carbonation:
No

contact:
Germany
pharma@ardaghgroup.com
+49 50 42 50 0216

Please note minimum order quantities
may apply