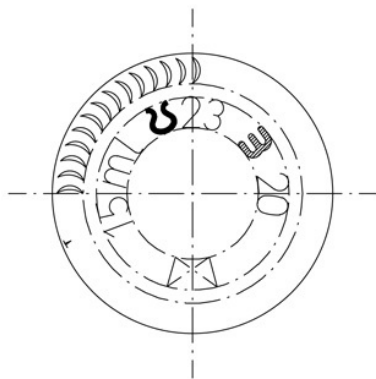
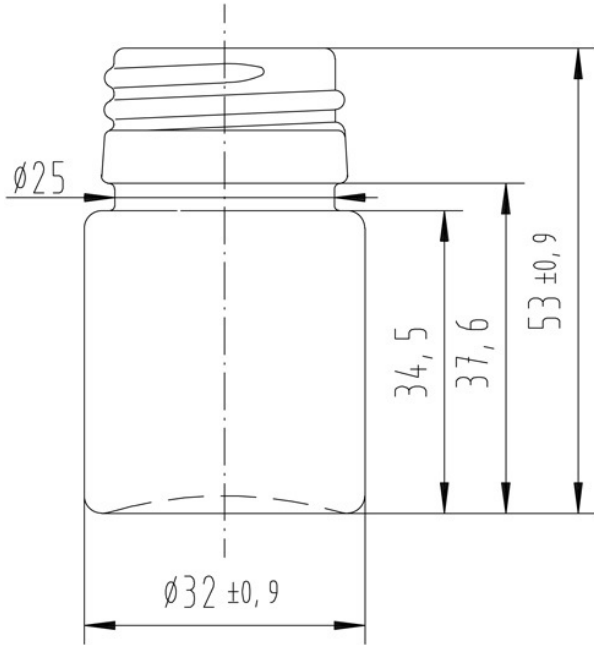


30000883  
6303  
Tablettenglas\_15\_C20\_28|



BASE VIEW



Colour:  
Amber

Capacity:  
15 ml

Finish Diameter:  
28 mm

Shape:  
Round

Body Diameter:  
32 mm

Height:  
53 mm

Weight:  
40 g

Returnable:  
No

Suitable for Carbonation:  
No

contact:  
Germany  
[pharma@ardaghgroup.com](mailto:pharma@ardaghgroup.com)  
+49 50 42 50 0216

Please note minimum order quantities  
may apply