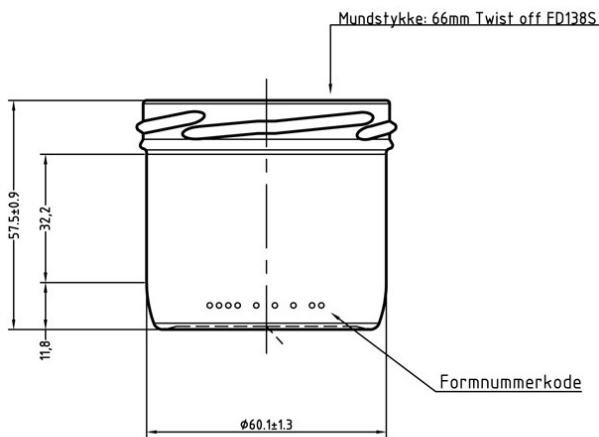
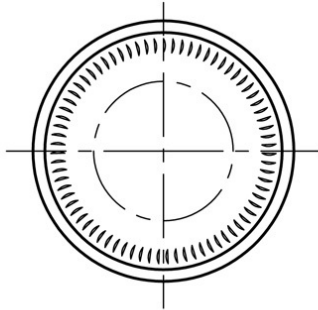


# 30001281 STD CAVIAR JAR 125 C30 66TO



**PLM H12**

Graveres i modsat part



Colour:  
White flint

Capacity:  
125 ml

Finish Diameter:  
66 mm

Shape:  
Round

Body Diameter:  
60 mm

Height:  
58 mm

Weight:  
97 g

Returnable:  
No

Suitable for Carbonation:  
No

contact:  
Nordic  
food.nor@ardaghgroup.com  
+45 55 54 6200

Please note minimum order quantities  
may apply