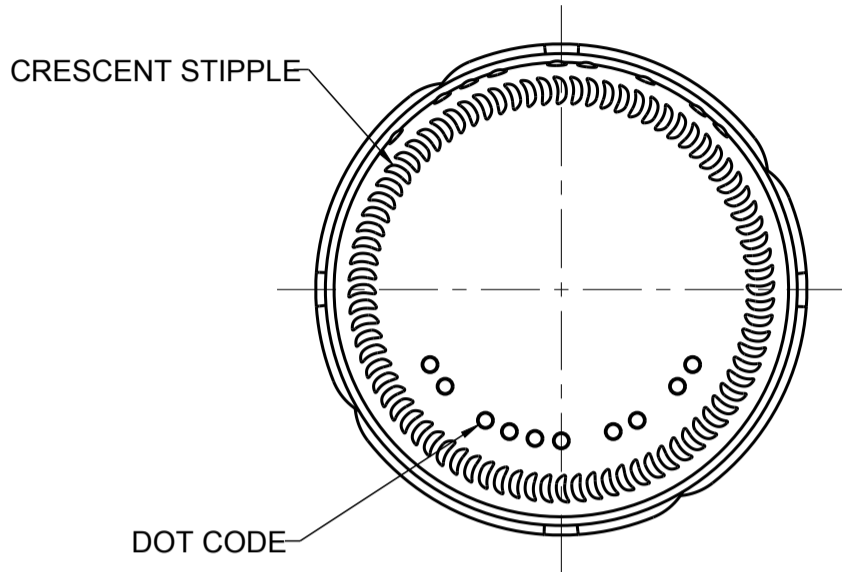
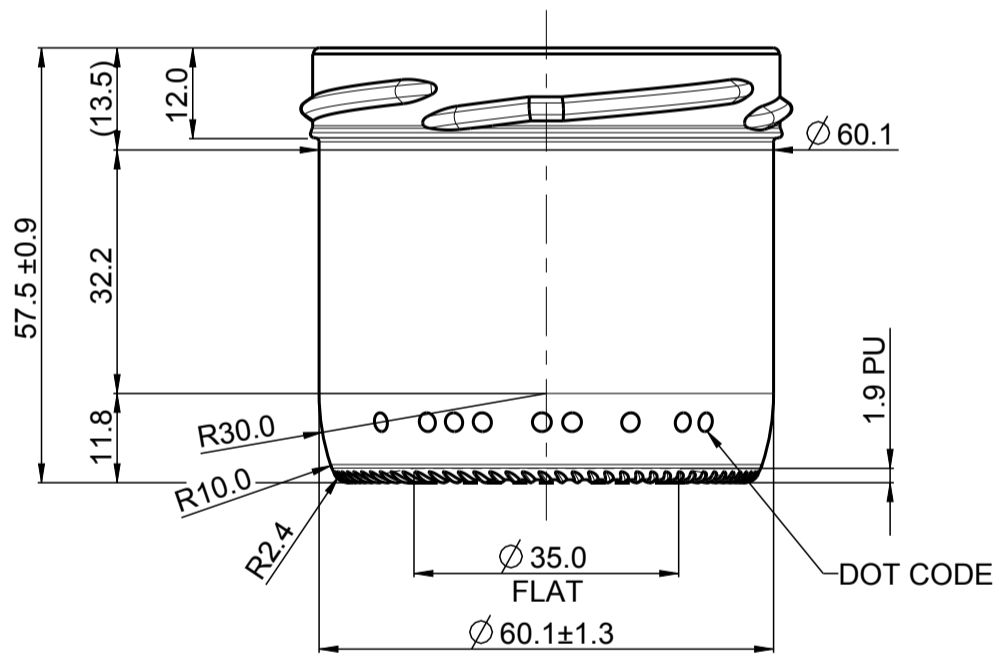


COLOUR	SAP SPEAKING NO	SAP MATERIAL NO
WHITE FLINT	30 - 08395 -0	30001281

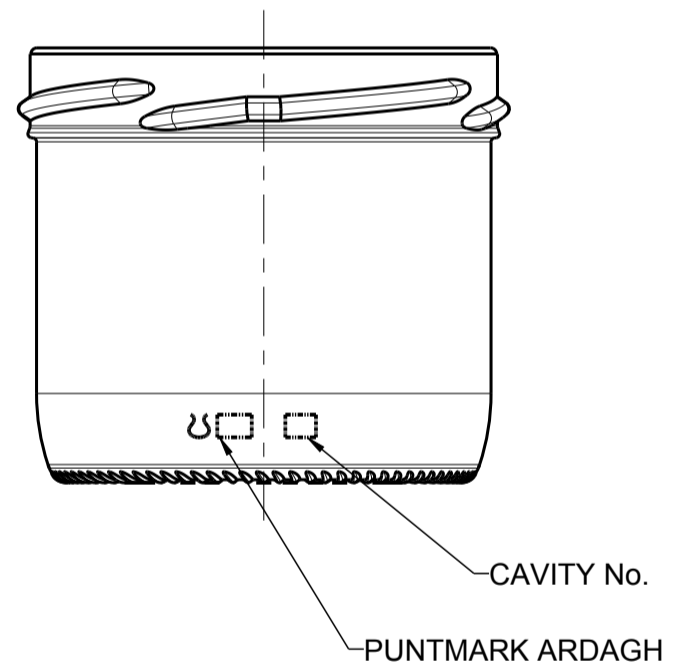
BOTTOM VIEW




FRONT VIEW



BACK VIEW



0.4 STIPPLE HEIGHT IS INCLUDED IN ALL DIMENSIONS FROM THE BASE

NOMINAL CAPACITY	-	<p>SPECIFICATION AGREEMENTS ARE BASED ON TOLERANCED DIMENSIONS ONLY DO NOT SCALE DRAWING COPYRIGHT RESERVED, NOT TO BE COPIED IN WHOLE OR PART WITHOUT WRITTEN PERMISSION FROM ARDAGH GROUP LTD.</p> <p>ALL DIMENSIONS ARE IN MILLIMETERS Deviations of all sizes without tolerances determined by norm DIN 6129 Document supervised by SAP, cProject and Windchill PDMLink systems</p>	Product & Mould Design	<p>ArdaghGroup </p>			
BRIMFUL CAPACITY	125.0 ± 6.0 ml		Glass - Europe				
VACUITY	-		DESIGNER	AhlbergM	SHEET	1 / 1	
FINISH DESCRIPTION	TO 66		DATE	2016-10-11	SCALE	1:1 (A3)	
FINISH No. / OLD No.	- / DG8395		CUSTOMER	STD	PROJECT	19903	
MINIMUM THROUGH BORE	-		PRODUCT NAME				
WEIGHT NOMINAL	~90 g		STD CAVIAR JAR_125_C30_66TO[]				
USAGE	NON RETURNABLE		OLD NUMBER	8395	SHORT NAME		
CARBONATION	-		DRAWING No.	D19029 A	PRODUCT CODE	08395 -0	
TILT ANGLE	51.5°		REVISION	A Redrawn from old system	DESIGNER	AhlbergM	DATE